

**Prodotto / Product**

**Data / Date**

Pompa per CIRCUITO APERTO REXROTH  
**A10VO28 SX DFR1/31L-PSC62K02 LS20 TP 280**

**February 05th 2021**

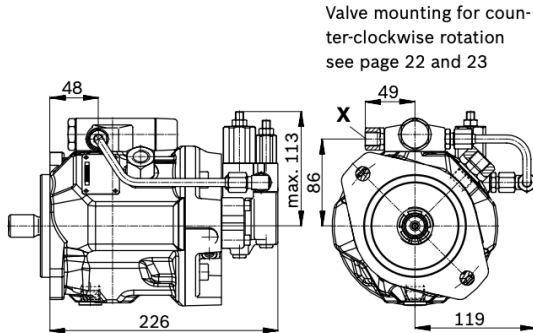


26 **A10V(S)O Series 31** | Axial piston variable pump  
Dimensions, size 28

Dimensions [mm]

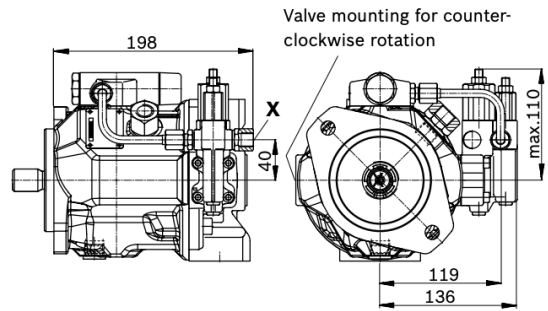
▼ DFLR – Pressure, flow and power controller

Port plate 11 (61)



▼ DFLR – Pressure, flow and power controller

Port plate 12 (62)

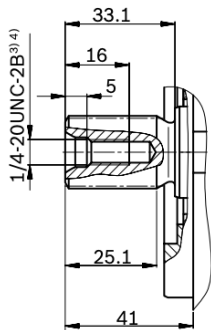


24 **A10V(S)O Series 31** | Axial piston variable pump  
Dimensions, size 28

Dimensions [mm]

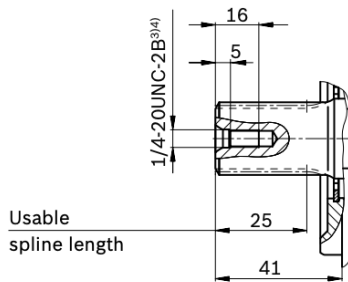
▼ Splined shaft 7/8 in (SAE J744)

S – 13T 16/32DP<sup>1)</sup>



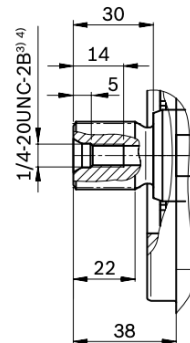
▼ Splined shaft 7/8 in (SAE J744)

R – 13T 16/32DP<sup>1)2)</sup>



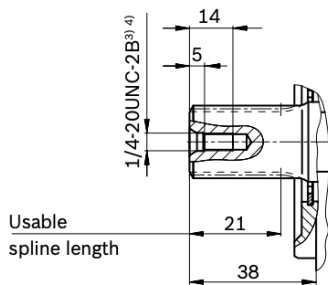
▼ Splined shaft 3/4 in (SAE J744)

U – 11T 16/32DP<sup>1)</sup>



▼ Splined shaft 3/4 in (SAE J744)

W – 11T 16/32DP<sup>1)2)</sup>



**Dimensions, size 28**

**DFR / DFR1 / DRSC – Pressure and flow control, hydraulic; clockwise rotation, version: Ports metric**

▼ Port plate 12

