

**Prodotto / Product**

Pompa per CIRCUITO APERTO Samhydraulik - Brevini Fluid Power  
**S5AV 045 S10 SX LS+TP**

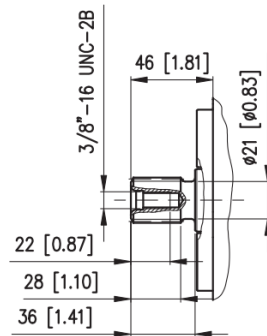
**Data / Date**

**February 05th 2021**

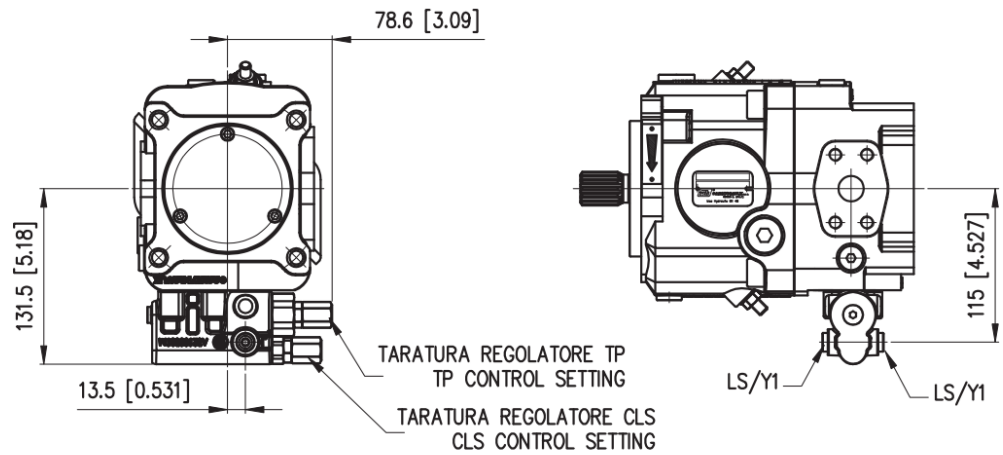


**S10**

SCANALATO/SPLINED SAE B-B 1"  
15T 16/32 DP - FLAT ROOT CALSS 5  
ANSI B92.1a-1976



**Pompa S5AV 032/045 - Flangia SAE B 2 Fori - Regolatore CLS+TP (LSPCX - LSPCY)**  
**S5AV 032/045 Pump - Mounting flange SAE B 2 Bolts - CLS+TP (LSPCX - LSPCY) Control**



LS: Attacco pressione Load Sensing / Load Sensing Pressure port - 1/8 G (BSPP) Prof./Deep 10 [0.393]  
Y1: Attacco remoto / Remote port - 1/8 G (BSPP) Prof./Deep 10 [0.393]